



**KITCHEN EQUIPMENT**

*SERVING THE FOOD INDUSTRY SINCE 1951*

# TABLETOP RESIDENTIAL MANUAL PASTA MACHINE

ITEM: 13229 MODEL: PM-CN-0179

**MAKE NOODLE PRODUCTION FAST AND EASY**



**WARRANTY**



Authorized Dealer

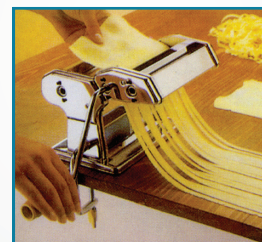
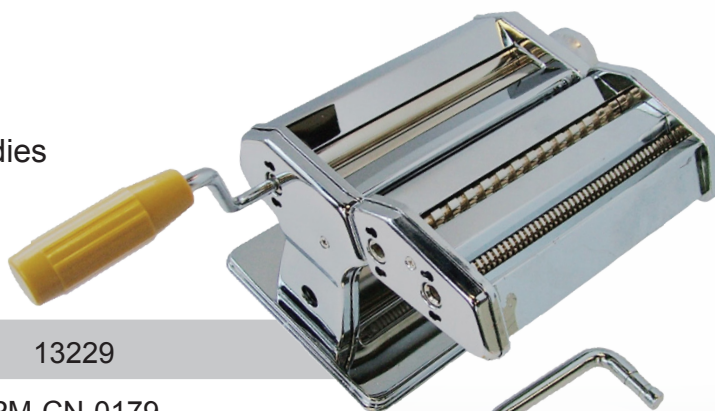
# KITCHEN EQUIPMENT

MANUAL PASTA MACHINE *PM-CN-0179 / 13229*



## FEATURES

- Home use pasta roller supplied with 2 cutter dies (2mm and 4mm)
- Sheet thickness is adjustable.



Cutter in use



Roller in use



Adjusting the knob

ITEM NUMBER

13229

MODEL

PM-CN-0179

ROLLER LENGTH

7" / 177.8 mm

MAX. ROLLER OPENING

3 mm

WEIGHT

7.5 lbs. / 3.4 kg.

PACKAGING WEIGHT

8 lbs. / 3.6 kg.

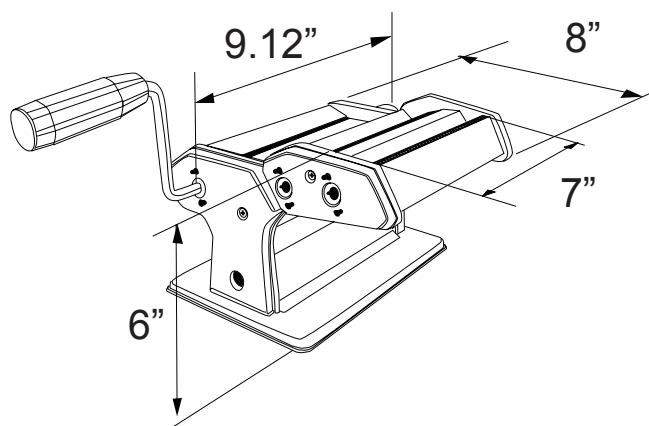
MACHINE DIMENSIONS

8.25" x 9.5" x 6"  
209.55 x 241.3 x 152.4 mm

PACKAGING DIMENSIONS

10" x 8" x 7"  
254 x 203.2 x 177.8 mm

## TECHNICAL DRAWING AND DIMENSIONS



**OMCAN INC.**

Telephone: 1-800-465-0234

Fax: (905) 607-0234

Email: [sales@omcan.com](mailto:sales@omcan.com)

Website: [www.omcan.com](http://www.omcan.com)



Follow us to keep up to date with the latest news and offers



2016.E.O.E